



# COCOON

01.01.2024



# COCOON READING CAVE - INDEX

<b>TECHNICAL SPECIFICATIONS</b> .....	4
<b>DESIGN OPTIONS</b> .....	5
<b>VERTICAL COCOON</b> .....	6
<b>HORIZONTAL COCOON</b> .....	8





# TECHNICAL SPECIFICATIONS

## GENERAL SPECIFICATIONS

### **DIMENSIONS**

Dimensions of each component can be found under the individual products.

### **WOODEN COMPONENTS**

are made of 25 mm E1 quality particle board type P2, with decorative melamine resin direct lamination in single sheet construction on both sides. With ABS edges.

### **FABRICS**

The material used for lining the furniture is 3 mm wool felt (100% wool) and is water resistant, antimicrobial and flame retardant according to regulation DINEN 13501-1, meeting the requirements of fire class B-s1.

# DESIGN OPTIONS

## MATERIALS AND COLOURS

### STANDARD COLOURS AND FINISHES FOR MELAMINE SURFACES

Cocoon wooden surfaces are delivered as standard in Pure white D62 (similar to RAL 9010), other colours are available upon request with surcharge of minimum 25%.



Pure white  
D62

### STANDARD COLOURS FOR FABRICS

The Cocoon Reading Cave is upholstered with 3 mm felt and is available in 5 standard colours. Other colours are available upon request with surcharge of minimum 25%.

5 standard colours:



Purple  
32



Green  
30



Grey  
01



Mango  
20



Red  
55

# COCOON READING CAVE

## VERTICAL COCOON

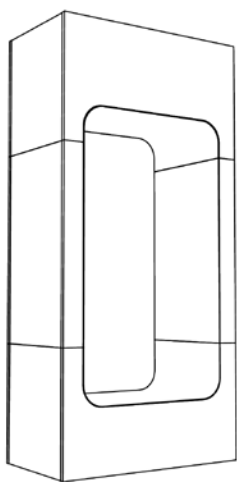
The Vertical Cocoon can be used as both a freestanding piece of furniture, a room divider or as a seat integrated into any shelving system.

---

### Vertical Cocoon

Available in two heights and two seating heights - H30 or H39. Turn the Vertical Cocoon 180° for the seating height of your choice.

Size mm H x W x D	Seating height mm	Item no.
2050 x 970 x 540	300/390	B40610056
2250 x 970 x 540	300/390	B40610066



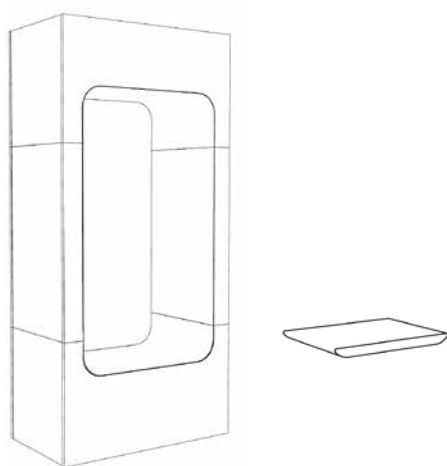
# COCOON READING CAVE

## VERTICAL COCOON

### Seat for Vertical Cocoon

Cushion upholstered with felt. Foam density 55, compressive strength 65, class B1 flame retardant, with 20 mm padding and 3 mm felt.

Size mm H x W x D	Colour	Item no.
50 x 710 x 540	Red	B406130142
50 x 710 x 540	Purple	B406130143
50 x 710 x 540	Green	B406130144
50 x 710 x 540	Grey	B406130148



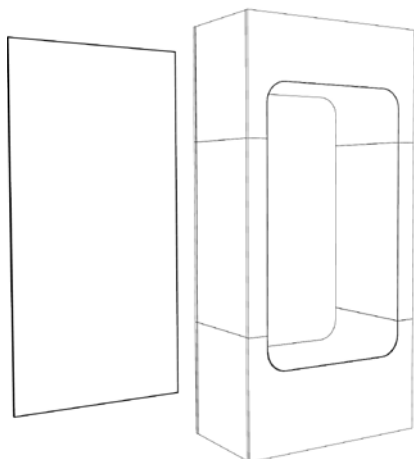
### Back panel for Vertical Cocoon

To be screwed onto the Cocoon. Two standard versions available:

- White coated particle board
  - White coated particle board with felt
- Two special versions available upon request:

- Particle board with graphics
- 6 mm acrylic back wall

Size mm H x W x D	Type	Item no.
2045 x 970 x 19/22	Wooden back panel	B406135456
2245 x 970 x 19/22	Wooden back panel	B406135466
2045 x 970 x 19/22	Wooden back panel with felt	B406135256
2245 x 970 x 19/22	Wooden back panel with felt	B406135266



# COCOON READING CAVE

## HORIZONTAL COCOON

Use the horizontal Cocoon to display the newest books/CD's/DVD's and at the same time create a hiding place or play area for the younger users. Note that you can place two modules next to each other to create a large seating area inside.

---

### Horizontal Cocoon

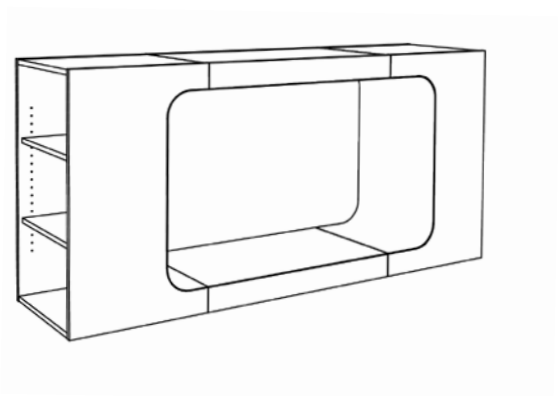
Both ends have 2 shelves (D250 in one end and D300 mm in the other) for storage and display.

Size mm  
H x W x D

970 x 2050 x 540  
970 x 2250 x 540

Item no.

B40610556  
B40610566



---

### Horizontal Cocoon - CD

Ideal for presenting your CD's and DVD's. Both ends have 2 shelves (D250 in one end and D300 mm in the other) for further storage and display.

Size mm  
H x W x D

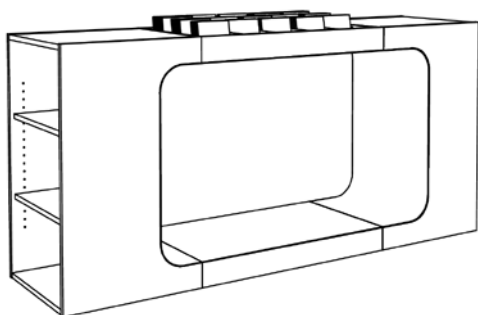
970 x 2050 x 540  
970 x 2250 x 540

Capacity  
hard case

200 CD's  
240 CD's

Item no.

B40611056  
B40611066





# COCOON READING CAVE

## HORIZONTAL COCOON

### Plinth for Horizontal Cocoon

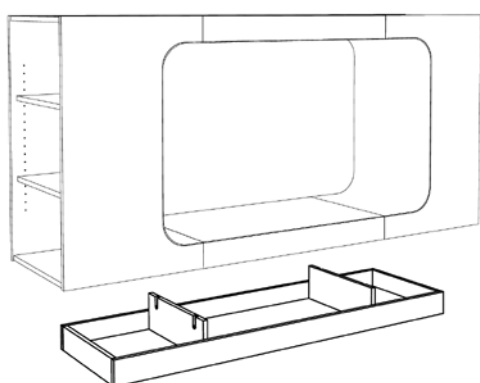
19 mm coated particle board with 6 furniture gliders. Aluminium look.

Size mm  
H x W x D

Item no.

100 x 1645 x 502  
100 x 1845 x 502

B40614056ZZZZD50  
B40614066ZZZZD50



### Seat for Horizontal Cocoon

Cushion upholstered with felt. Foam density 55, compressive strength 65, class B1 flame retardant, with 20 mm padding and 3 mm felt.

Size mm  
H x W x D

Colour

Item no.

50 x 1290 x 540  
50 x 1290 x 540  
50 x 1290 x 540  
50 x 1290 x 540

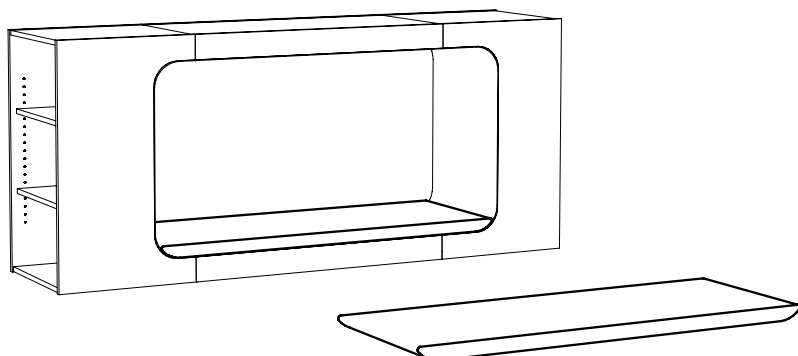
Red  
Purple  
Green  
Grey

B406130242  
B406130243  
B406130244  
B406130248

50 x 1490 x 540  
50 x 1490 x 540  
50 x 1490 x 540  
50 x 1490 x 540

Red  
Purple  
Green  
Grey

B406130342  
B406130343  
B406130344  
B406130348





## DANMARK

Lammhults Biblioteksdesign A/S  
Dalbækvej 1  
6670 Holsted

bci@bci.dk  
www.bci.dk

## SVERIGE

Lammhults Biblioteksdesign AB  
Odlarevägen 16  
226 60 Lund

eurobib@eurobib.se  
www.eurobib.se

## STORBRITANNIEN

thedesignconcept Ltd.  
The Old Bakery,  
10 Greenless Road  
Cambuslang Belgrave Street  
Glasgow G72 8JJ

info@thedesignconcept.co.uk  
www.thedesignconcept.co.uk

## FRANKRIG

BC Intérieur Sarl  
6 allée Kepler  
77420 Champs sur Marne

bci@bcinterieur.com  
www.bcinterieur.com

## TYSKLAND

Schulz Speyer Bibliothekstechnik AG  
Hafenstraße 2  
67346 Speyer

sales@schulzspeyer.de  
www.schulzspeyer.de

## NORGE

BS Eurobib AS  
Alf Bjerckes Vei 20  
0582 Oslo

post@bseurobib.no  
www.bseurobib.no

## BELGIEN

SBNL - Schulz Benelux BVBA  
Appelweg 94 C  
3221 Holsbeek

info@sbnl.be  
www.sbnl.be